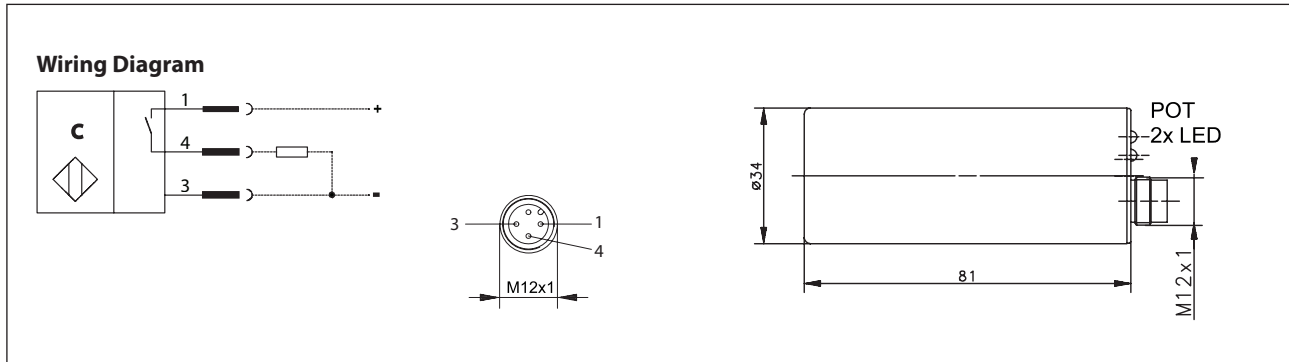


## Capacitive Proximity Switch

### Series Ø34

Description **KCN-R34PS/030-KLPS12**

Article number **6507915004**



#### Identifying characteristics in accordance with EN 60947-5-2

Electrical data		
Rated operating distance	$S_n$	30 mm
Mounting		non flush
Standard target		3· $S_n$ x 3· $S_n$ x 1 mm; material: steel; connected to earth
Effective operating distance	$S_r$	6-30 mm; $S_r$ adjustable with potentiometer (POT); turn right $\hat{=}$ high sensitivity, turn left $\hat{=}$ low sensitivity
Assured operating distance	$S_a$	$0 \leq S_a \leq 0,8 \cdot S_r$
Switching element function		N.O.
Repeat accuracy	R	$\leq 0,1 \cdot S_r$
Differential travel (hysteresis)	H	$\leq 0,2 \cdot S_r$
Frequency of operating cycles	f	$\approx 25$ Hz
Rate doperational voltage	$U_e$	12 V - 48 V DC
Operational voltage range	$U_B$	10 V - 60 V DC
Rated insulation voltage	$U_i$	75 V DC
Rated impulse withstand voltage	$U_{imp}$	500 V
Voltage drop	$U_d$	< 3 V DC
Utilization category		DC-13 (Switching element)
Rated operational current	$I_e$	400 mA DC
Minimum operational current	$I_m$	1 mA DC
Off-state current	$I_r$	$\leq 0,5$ mA DC
No-load supply current	$I_o$	$\leq 20$ mA DC
Switching element		permanent overload and s.c.p.
Short-circuit protection		pulsed
Rated supply frequency		DC
False polarity protection		with permutation of +, -, output no damage occurs
Time delay before availability	$t_v$	< 50 ms

<b>Mechanical Data</b>	
Enclosure	PBT, red
End cap	PA6.6, black
Ambient air temperature	-25 °C ... +70 °C
Type of protection	IP67 (with screwed plug-in-connector)
Pollution degree	3 (Pollution of the optic can cause impairments of the operating distances.)
Indication	Power ON = LED green Output ON = LED yellow
Termination type	Plug M12 x 1, PA
For attachment	Hexagon nut, PA6.6, black
<b>EU Conformity</b>	
acc. to directive 2014/30/EU (EMC-Directive)	